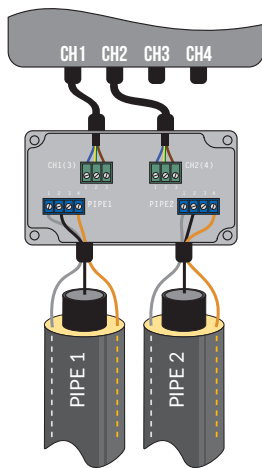


BOX-1

Basic connection box, two loops



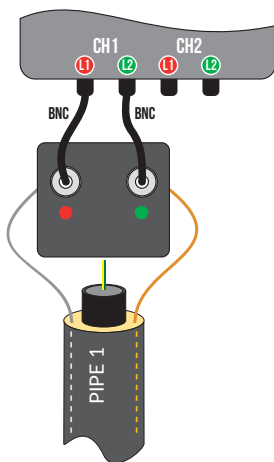
Compatible with:

RAT-2
RAT-2b

- Application in impulse and resistance network
- Connection of preinsulated pipes with RAT-2 and RAT-2B detectors
- Two channels (two alarm loops)
- Mechanical installation with mounting brackets
- Connection of cables by terminal block connectors
- Connection of detector by terminal block connectors
- Max wire diameter 7 mm
- Housing IP65
- Dimensions: 150 x 70 x 60 mm
- Weight: 0,2 kg

BOX-3

Constant impedance connection box, one loop



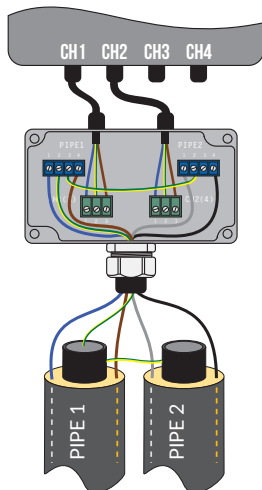
Compatible with:

RAT-Combo

- Application in impulse network
- Stationary connection of RAT-Combo
- One channel (one alarm loop)
- Mechanical installation by pipe
- Connection of detector by BNC cables
- Housing IP65
- Dimensions: 50 x 50 x 50 mm
- Weight: 0,15 kg

BOX-4

Five-core wire connection box, two loops



Compatible with:

RAT-2
RAT-2b

- Application in impulse and resistance network
- Connection of RAT-2 and RAT-2b
- Two channels (two alarm loops)
- Mechanical connection by mounting brackets
- Wires connection by terminal block connectors
- Detectors connection by terminal block connectors
- Max average diameter of wire 16 mm
- Application by 5-wire connection cables
- Housing IP65
- Dimensions: 150 x 70 x 60 mm
- Weight: 0,2 kg

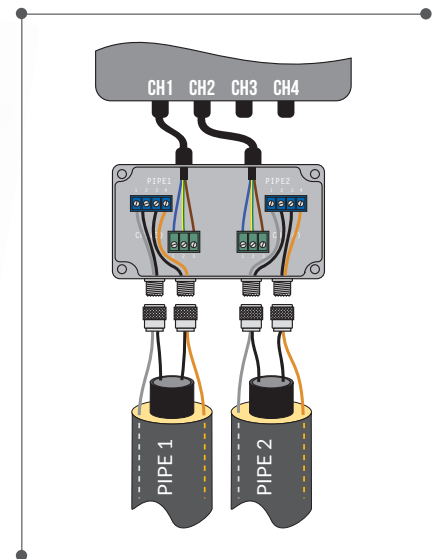
Compatible with:

RAT-2

- Application in impulse
- Connection of RAT-2 detectors
- Two channels (two alarm loops)
- Mechanical installation by two mounting brackets
- Alarm wires connected by UHF (concentric cables)
- Detectors connection by terminal block connectors
- Housing IP65
- Dimensions: 190 x 130 x 60 mm
- Weight: 0,3 kg



BOX-5
BNC/UHF connection box, two loops



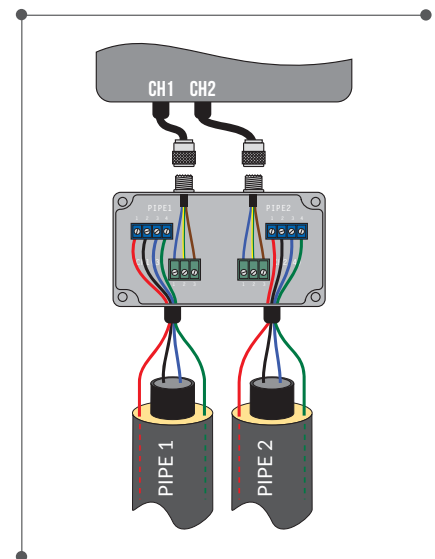
Compatible with:

RAT-2b

- Application in resistance network
- Connection of RAT-2b detectors
- Two channels (two alarm loops)
- Mechanical installation by two mounting brackets
- Alarm wires connected by terminal block connectors
- Detectors connection by industrial connectors M16 6PIN
- Housing IP65
- Dimensions: 190 x 130 x 90 mm
- Weight: 0,2 kg



BOX-6
M16 6pin connection box, two loops



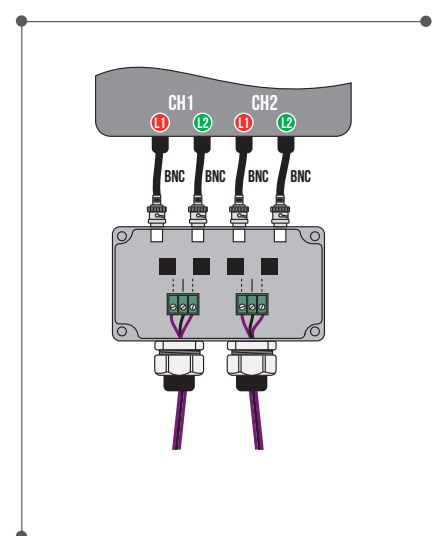
Compatible with:

RAT-Combo
ILA 1.0

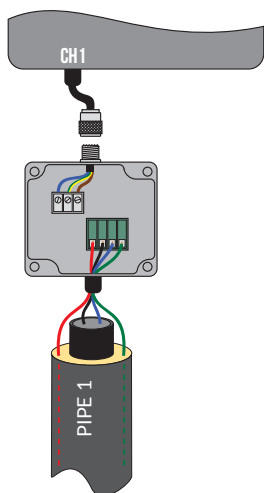
- Application in impulse network
- Connection of RAT-Combo and ILA detectors
- Two channels (two alarm loops)
- Mechanical installation by two mounting brackets
- Alarm wires connection by terminal block connectors
- Detectors connection by BNC cables
- Housing IP65
- Dimensions: 190 x 130 x 60 mm
- Weight: 0,36 kg



BOX-7
3-wire sensor cable connection box, 2 alarm loops



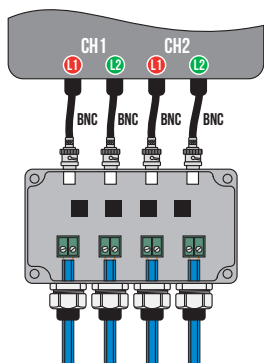
BOX-8 M16 6pin connection box, one loops



- Application in resistance network
- Connection of RAT-2b
- One channel (one alarm loop)
- Mechanical installation by two mounting holes
- Alarm wires connection by terminal block connectors
- Detectors connection by industrial connectors M16 6PIN
- Housing IP65
- Dimensions: 50 x 50 x 50 mm
- Weight: 0,15 kg

Compatible with:
RAT-2b

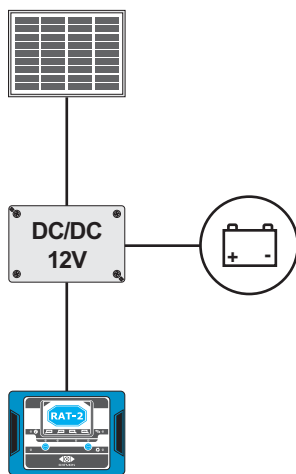
BOX-9 MSC-1 connection box, two loops



- Application in impulse network
- Connection of RAT-Combo and ILA detectors
- Two channels (two alarm loops)
- Mechanical installation by two mounting brackets
- Alarm wires connection by terminal block connectors
- Detectors connection by BNC cables
- Housing IP65
- Dimensions: 190 x 130 x 60 mm
- Weight: 0,36 kg

Compatible with:
RAT-Combo
ILA 1.0

SOL-1 Solar Power Kit



A complete solar kit that allows the installation of equipment for monitoring pre-insulated networks of the RAT series in a remote location, where access to power supply is difficult. The kit was selected so as to ensure stable operation of the equipment even during extended periods of cloudy days.

The complex includes:

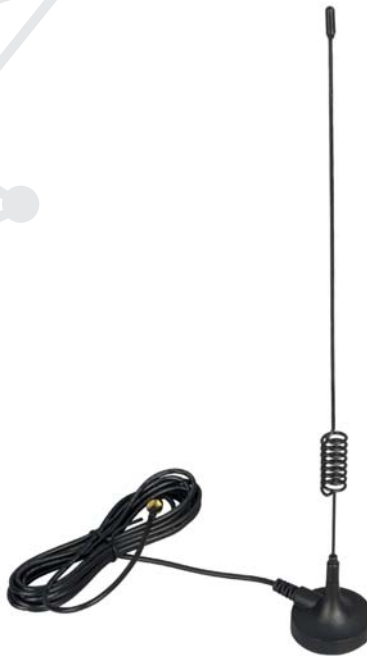
- Solar panel
- Charge controller
- Accumulator
- Airtight housing for the accumulator and charge regulator
- Dimensions: 251 x 186 x 107 mm
- Weight: 1,75 kg

Compatible with:
RAT-2
RAT-2b
RAT-Combo

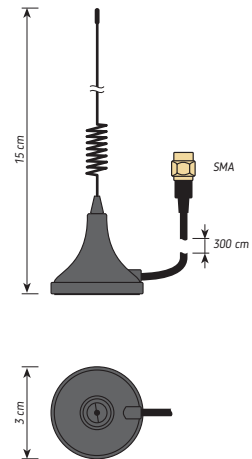
Compatible with:

RAT-2
RAT-2b
RAT-Combo
ILA 1.0

- Additional external GSM antenna
- Type: RF
- Antenna energy gain: 3dBi
- Linear polarization
- Impedance 50 Ω
- Frequency 470...862 Mhz
- Magnetic base for easy mounting
- 3 m cable with SMA connection
- Weight: 0,15 kg



ANT-1 External GSM antenna



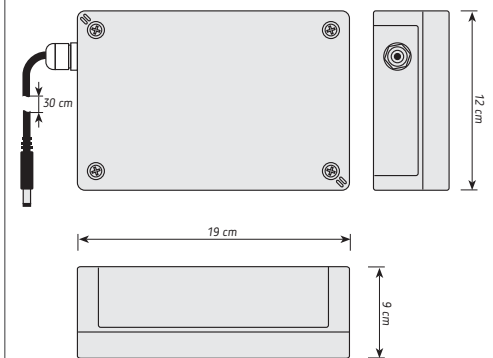
Compatible with:

RAT-2
RAT-2b
RAT-Combo

- Output: 12 V DC
- 8 R20 baterries
- Housing IP65
- Installation by DIN rail
- Dimensions: 19 x 12 x 9 cm
- Weight: 1,55 kg



BAT-1 Battery module



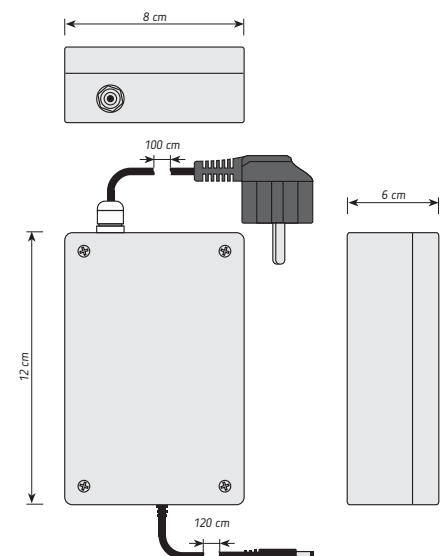
Compatible with:

RAT-2
RAT-2b
RAT-Combo
ILA 1.0

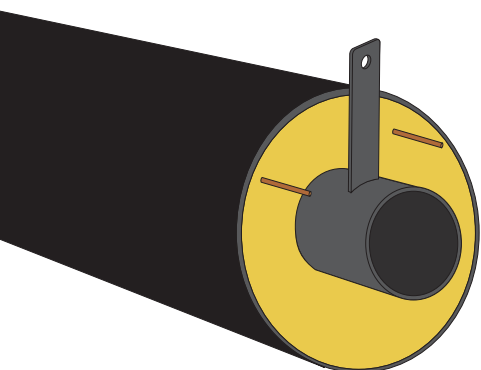
- Protection class: IP65
- Voltage: 230 V / 12 V
- Current: 500 mA
- Dimensions: 12 x 8 x 6 cm
- Weight: 0,42 kg



ZH-1 Hermetic power adapter

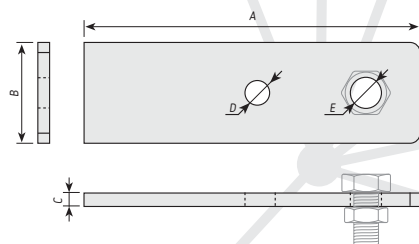


GND-1 Grounding bracket

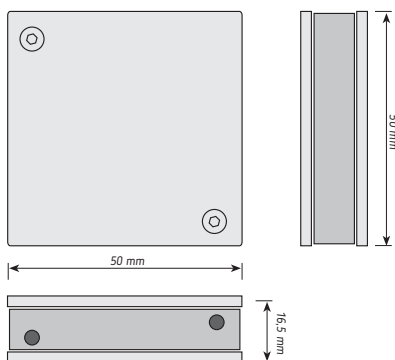


- M8 bolt with nut
- Dimensions: (A) 100 x (B) 30 x (C) 4 mm, (D) 6 mm, (E) 9 mm
- Weight: 0,08 kg

Compatible with:
steel,
pre-insulated pipes



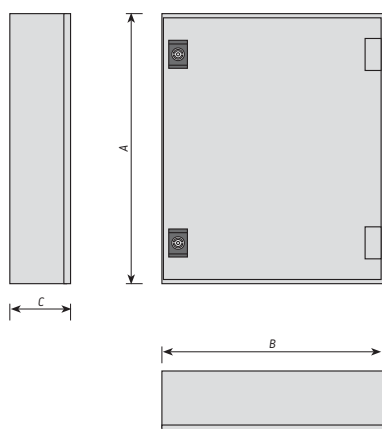
MZM-1 Magnetic pipe connector



- Reliable, stable connection with the pipe
- Designed to check the quality of the connection to the pipe
- Two independent banana sockets
- Made of high quality stainless steel
- Weight: 0,1 kg

Kompatybilne z:
RAT-Combo
MEGALOC-1/1b
SMARTLOC-1

SK-1 External, hermetic cabinet



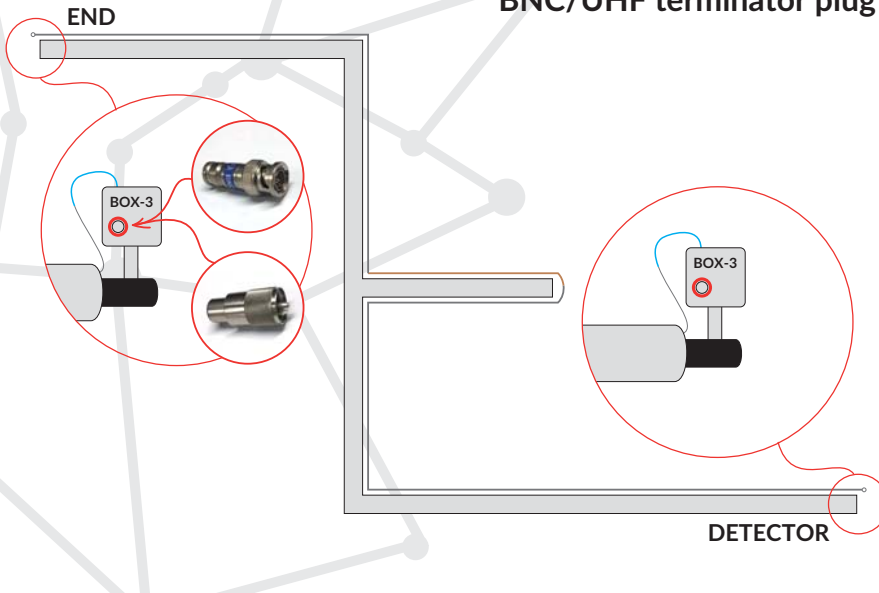
- Material poliester
- Lock with key
- Mouting plate
- Protection cable
- Protection class 1
- Housing IP66 (NEMA 4X)
- Dimensions: (A) 530 x (B) 430 x (C) 200 mm
- Weight: 5,5 kg

Compatible with:
RAT-2
RAT-2b
RAT-Combo
ILA 1.0



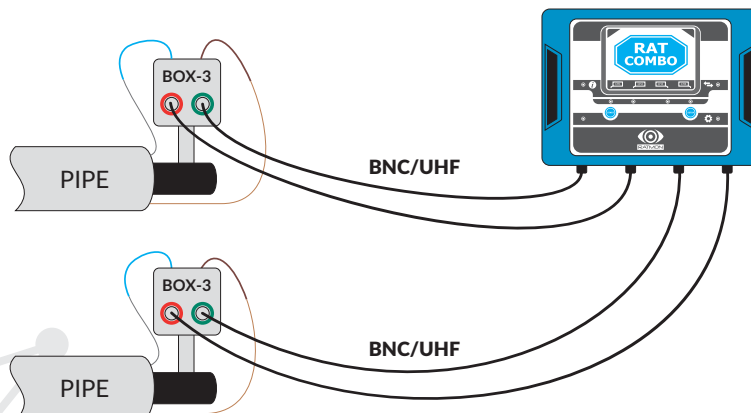
TB-1 · TU-1

BNC/UHF terminator plug for unlooped alarm systems



Exemplary methods of connecting devices with pipes

RAT-Combo



RAT-2

